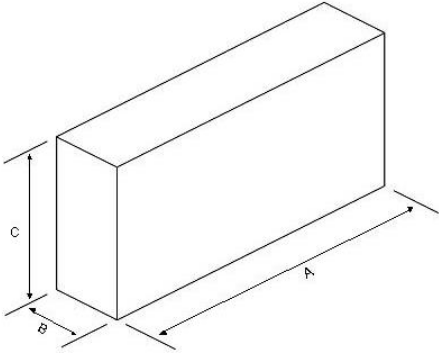
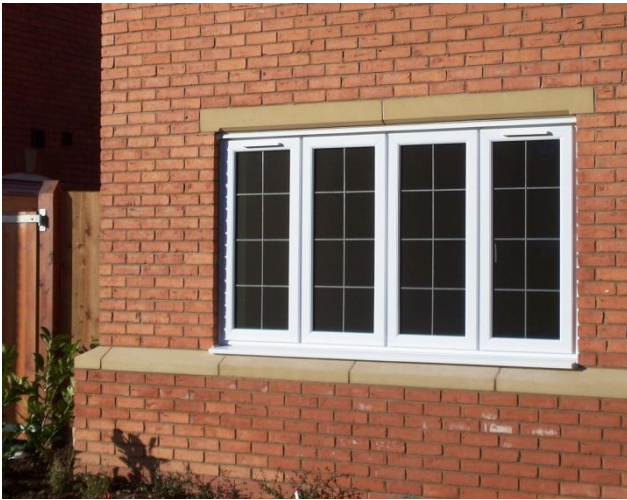


ASHLAR BLOCKS



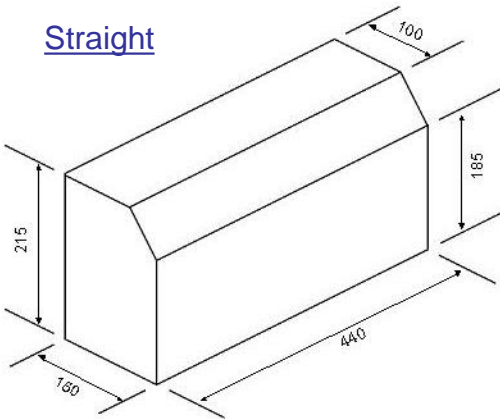
CODE	A	B	C	WEIGHT KG
AB1A	328 mm	100 mm	215 mm	16
AB1B	440 mm	100 mm	215 mm	22
AB1C	600 mm	100 mm	215 mm	30
AB1D	215mm x 215mm Corner			16

PLINTH BLOCKS

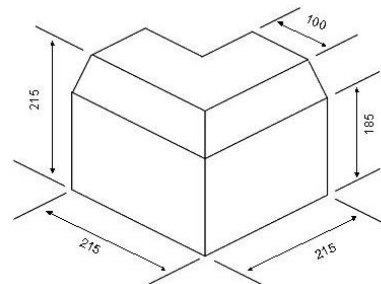
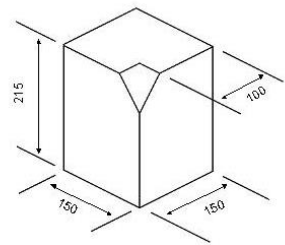


CODE	DESCRIPTION	WEIGHT KG
PB1A	Straight Length	30
PB1AINT	Internal Corner	16
PB1AEXT	External Corner	19

Straight



Internal



External